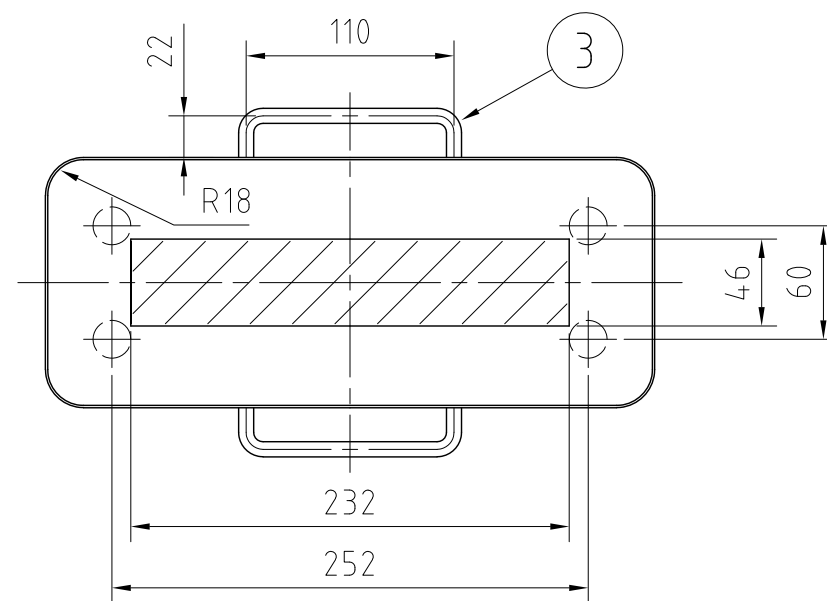
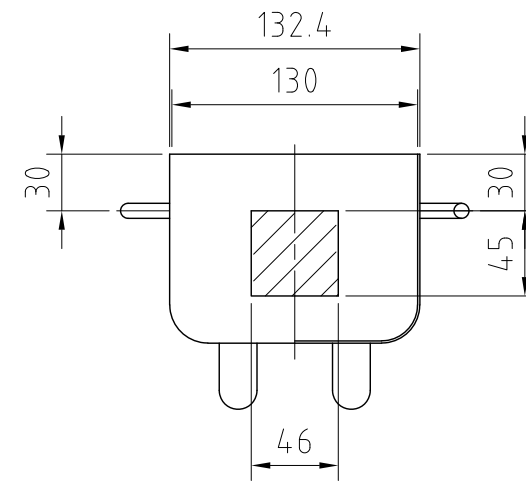
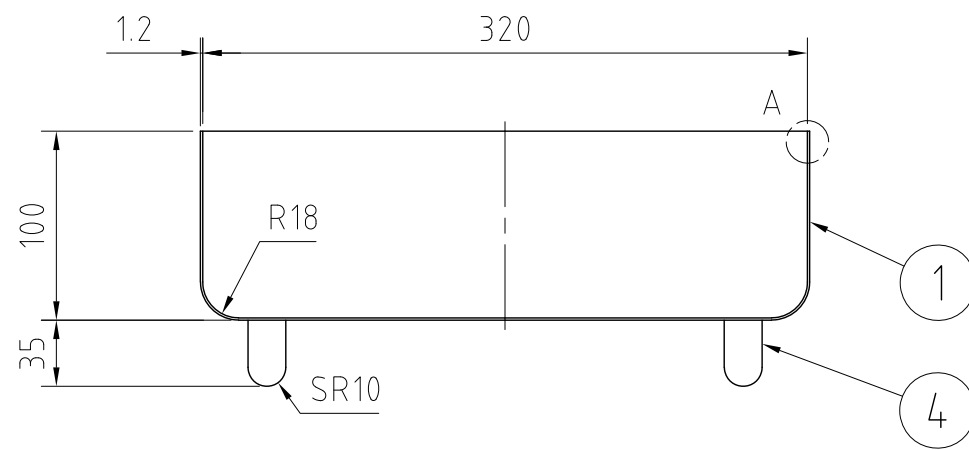
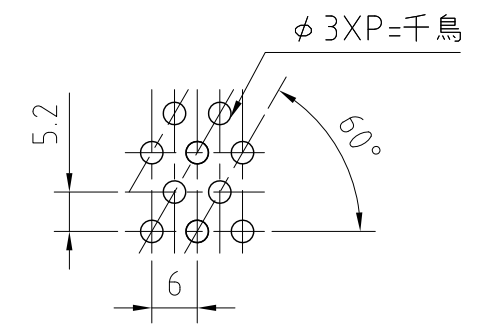
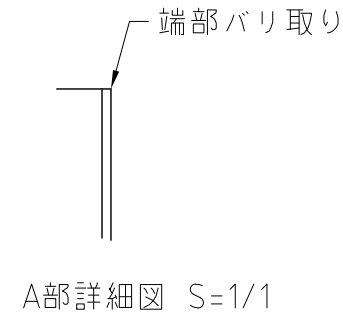
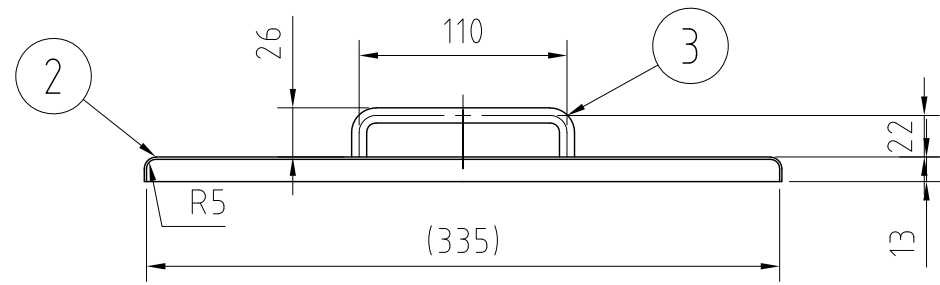


REVISIONS				
MARK	DATE	REV	DESCRIPTION	APPROVED



仕上げ：内外面ハブ研磨(#400)後電解研磨

4	脚	φ20丸棒	SUS316	4	
3	取っ手	φ8丸棒	SUS316	3	
2	蓋		SUS316	1	
1	滅菌缶本体		SUS316	1	
No.	PART NAME	STANDARD/SIZE	MATERIAL	QTY	NOTE
DRAWN		DATE		NAME 角型滅菌缶-1	
CHECKED		DATE 05/05/23		DWG NO. 3-001164-0	
DESIGN		DATE		SCALE 1:4 CUSTOMER	
SANKO ASTEC INC.					