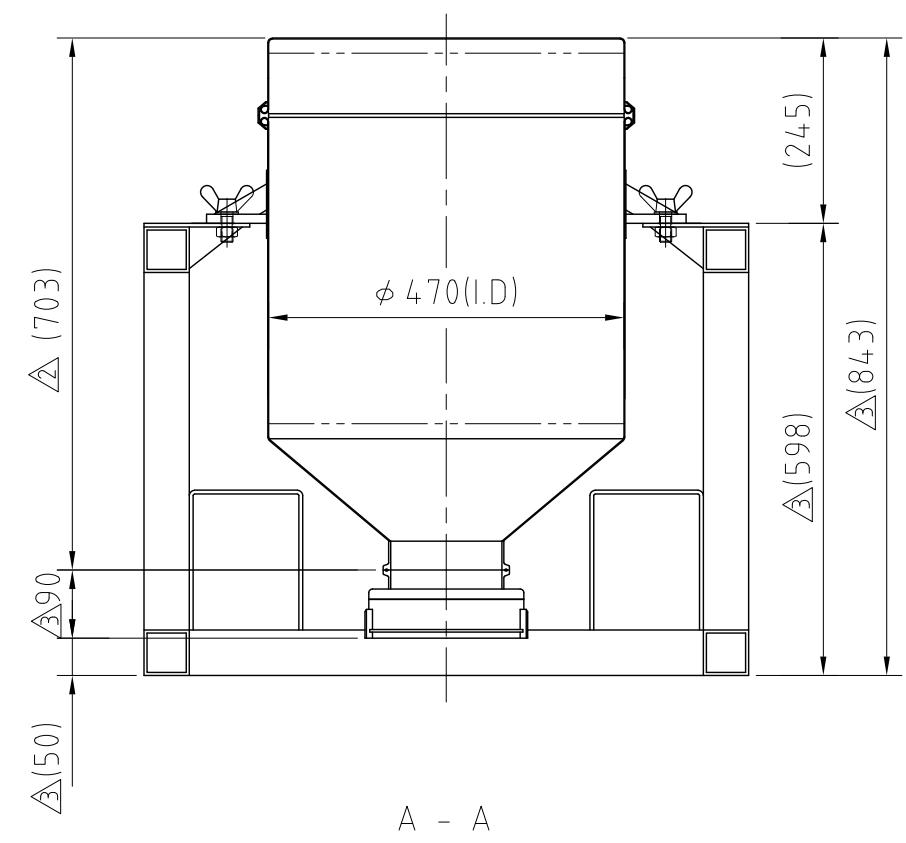
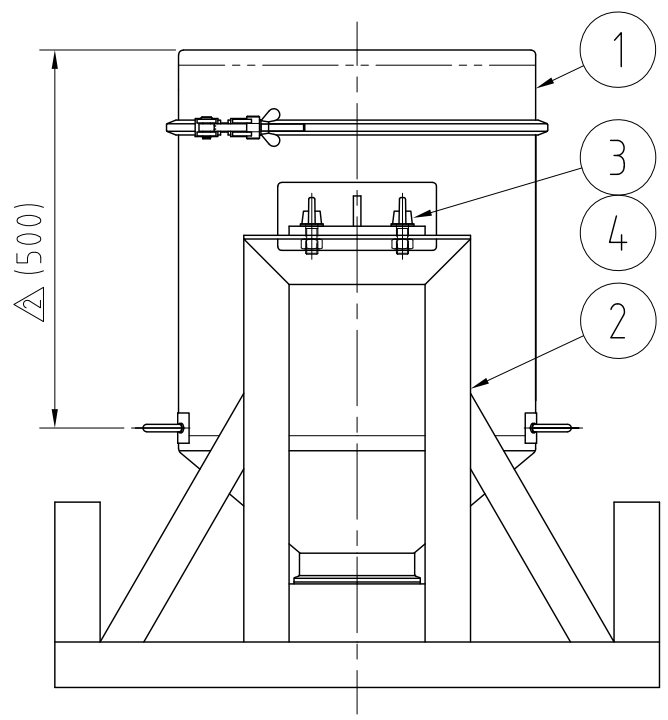
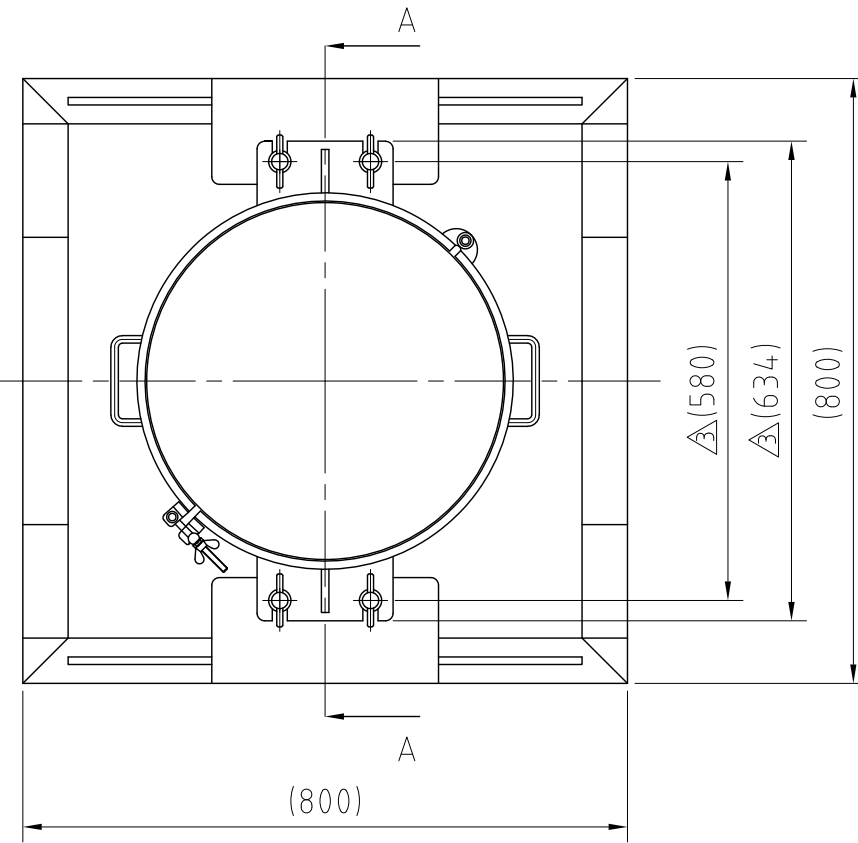


File # 002151-5

REVISIONS

MARK	DATE	REV	DESCRIPTION	APPROVED
①	11/01/27		No. 002151-1	
②	11/01/28		No. 002151-2	
③	11/02/10		No. 002151-3	
④	11/03/03		No. 002151-4	
⑤	11/03/23		No. 002151-5	



④	平フッシャ	M16用	SUS304	4	
③	蝶ボルト	M16×L40	SUS304	4	
②	架台		SUS304	1	3-002153
①	容器	HTLC-47H(S)	SUS304	1	3-002152
No.	PART NAME	STANDARD/SIZE	MATERIAL	QTY	NOTE
DRAWN		DATE	NAME HTLC-47H(S) 組図		
		2011/01/19	DWG NO. 3-002151-5		
CHECKED		DATE	SCALE 1:10 CUSTOMER		
DESIGN		DATE	SANKO ASTEC INC. 2-53-2, Nihonbashiamacho, Chuo-ku, Tokyo 103-0007 Japan Telephone +81-3-3668-3618 Facsimile +81-3-3668-3617		

www.sankoastec.co.jp