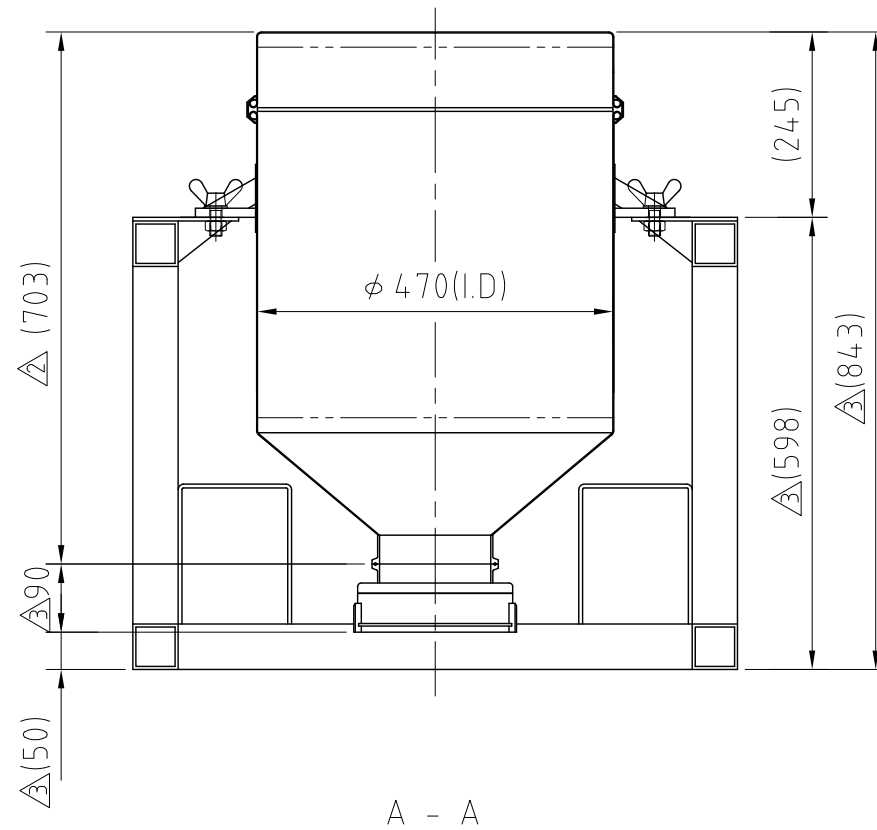
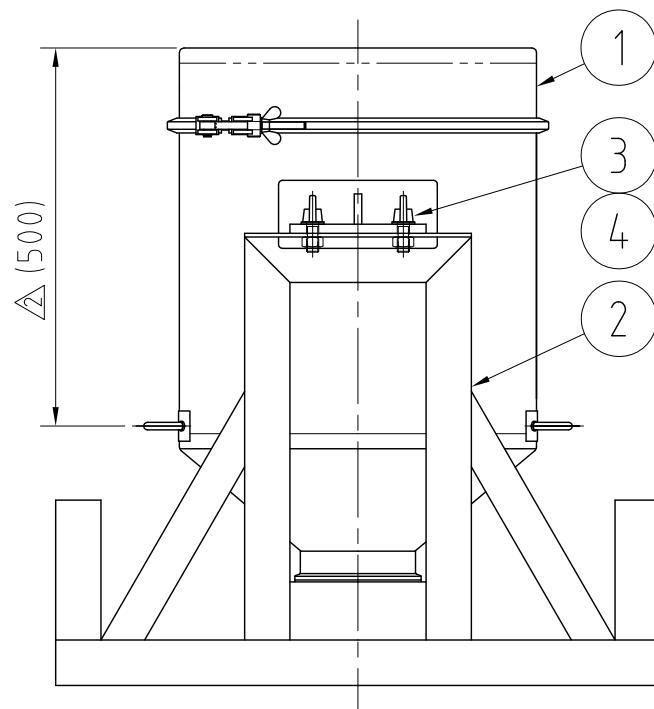
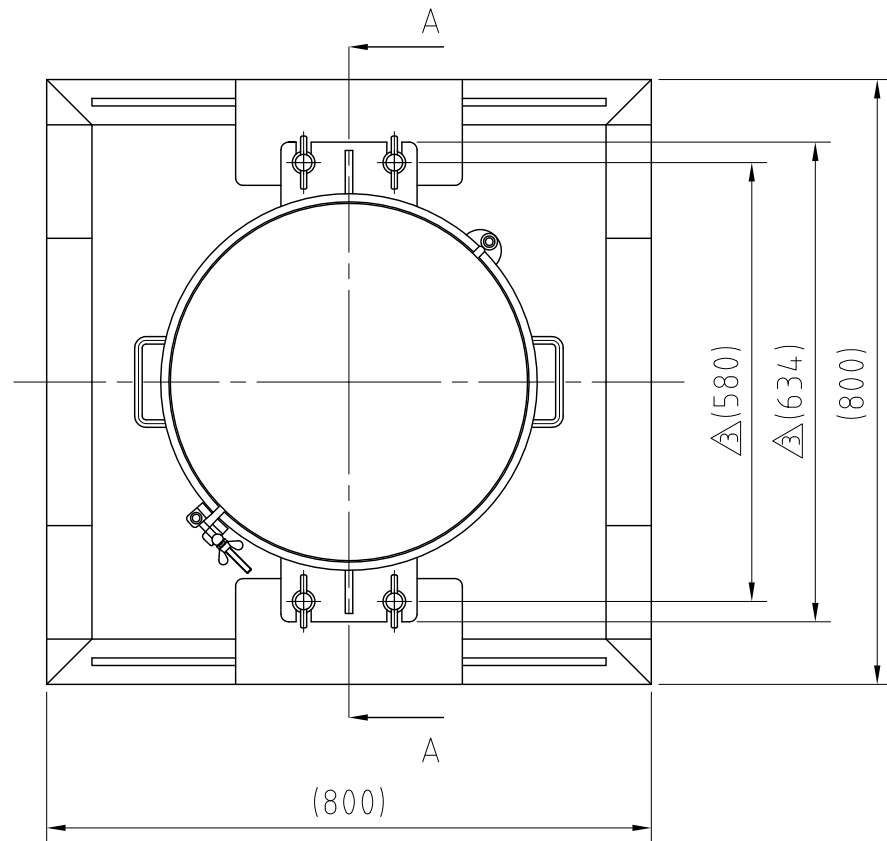


REVISIONS

MARK	DATE	REV	DESCRIPTION	APPROVED
△1	11/01/27		No. 002151-1	
△2	11/01/28		No. 002151-2	
△3	11/02/10		No. 002151-3	
△4	11/03/03		No. 002151-4	
△5	11/03/23		No. 002151-5	



No.	PART NAME	STANDARD/SIZE	MATERIAL	QTY	NOTE
△4	平ワッシャ	M16用	SUS304	4	
△3	蝶ボルト	M16×L40	SUS304	4	
△2	架台		SUS304	1	3-002153
△1	容器	HTLC-47H(S)	SUS304	1	3-002152

DRAWN	DATE	NAME	HTLC-47H(S) 組図		
	2011/01/19	DWG NO.	3-002151-5		
CHECKED	DATE	SCALE	1:10	CUSTOMER	
	2011/01/19				
DESIGN	DATE	SANKO ASTEC INC.			
	2011/01/19				