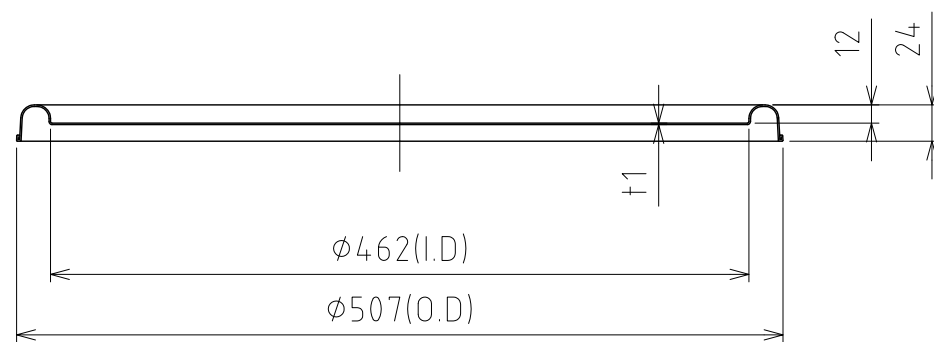
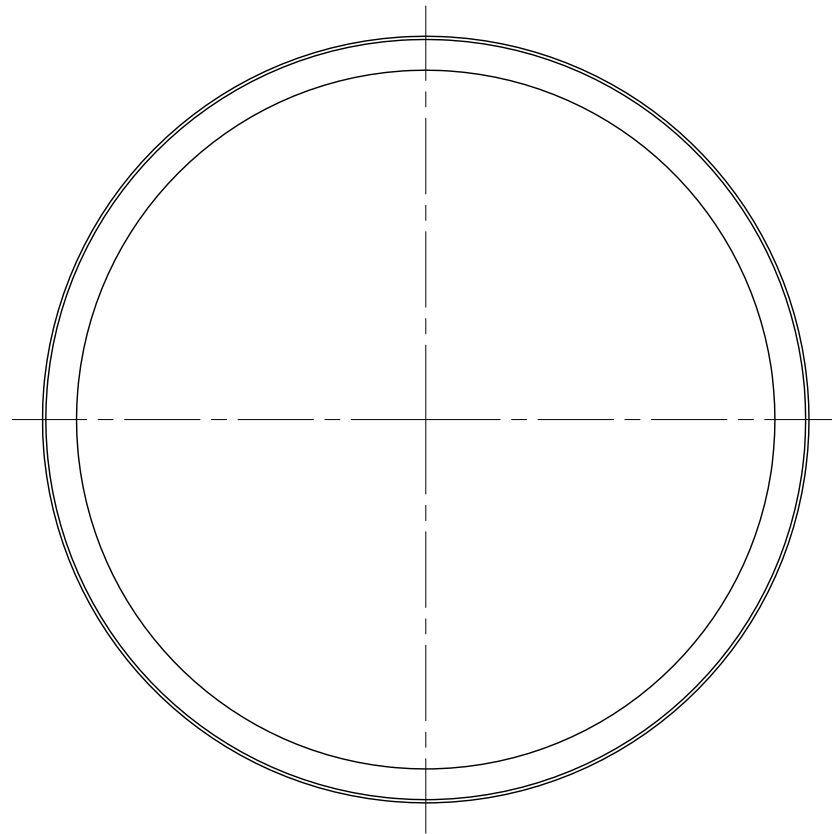


File # 012138-0

No.	PART NAME	STANDARD/SIZE	MATERIAL	QTY	NOTE
1	密閉蓋	M-47 (t1)	SUS304	1	



注記
 仕上げ：内外面 # 320バフ研磨
 重量：約1.9kg

MARK	DATE	REV	APPROVED
板金溶接組立の寸法許容差は±1%又は5mmの大きい値			
DESIGN	DATE	NAME CTH-47用密閉蓋	
-	2016/03/31	M-47	
DRAWN	DATE	DWG NO.	3-012138-0
-	-		
CHECKED	DATE	SCALE	1:5 CUSTOMER 規格図
-	-		
APPROVED	DATE	SANKO ASTEC INC.	
-	-		