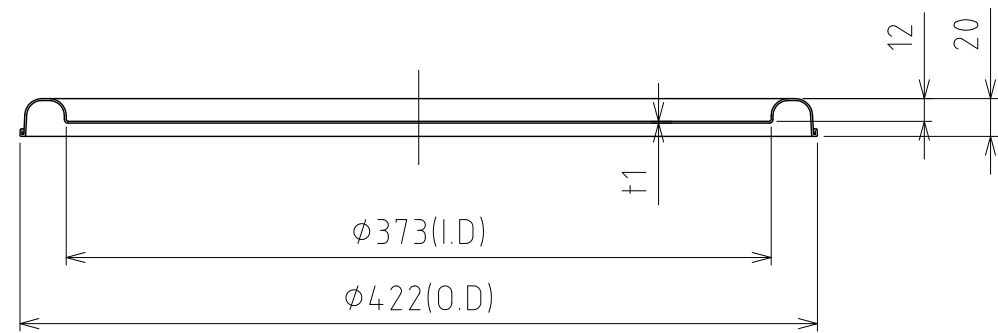
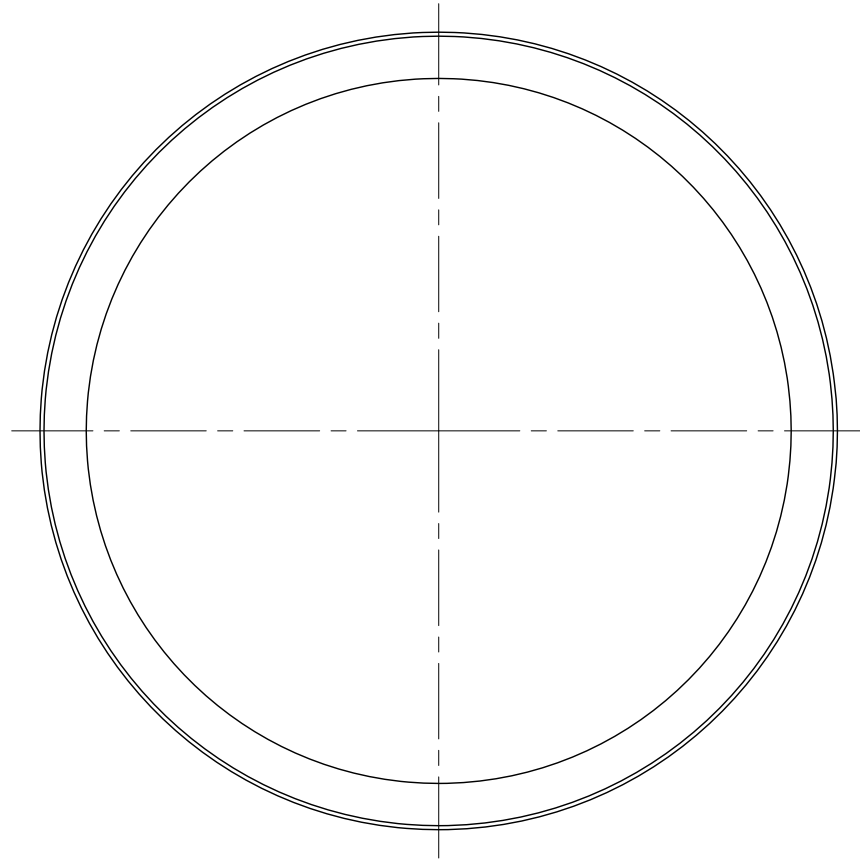


File # 012136-0

No.	PART NAME	STANDARD/SIZE	MATERIAL	QTY	NOTE
1	密閉蓋	M-39 (+1)	SUS304	1	



注記
 仕上げ：内外面 # 320バフ研磨
 重量：約1.2kg

MARK	DATE	REV	APPROVED
板金溶接組立の寸法許容差は±1%又は5mmの大きい値			
DESIGN	DATE	NAME CTH-39用密閉蓋	
-	2016/03/31	M-39	
DRAWN	DATE	DWG NO.	3-012136-0
-	-	3-012136-0	
CHECKED	DATE	SCALE	CUSTOMER
-	-	1:4	規格図
APPROVED	DATE	SANKO ASTEC INC.	
-	-		