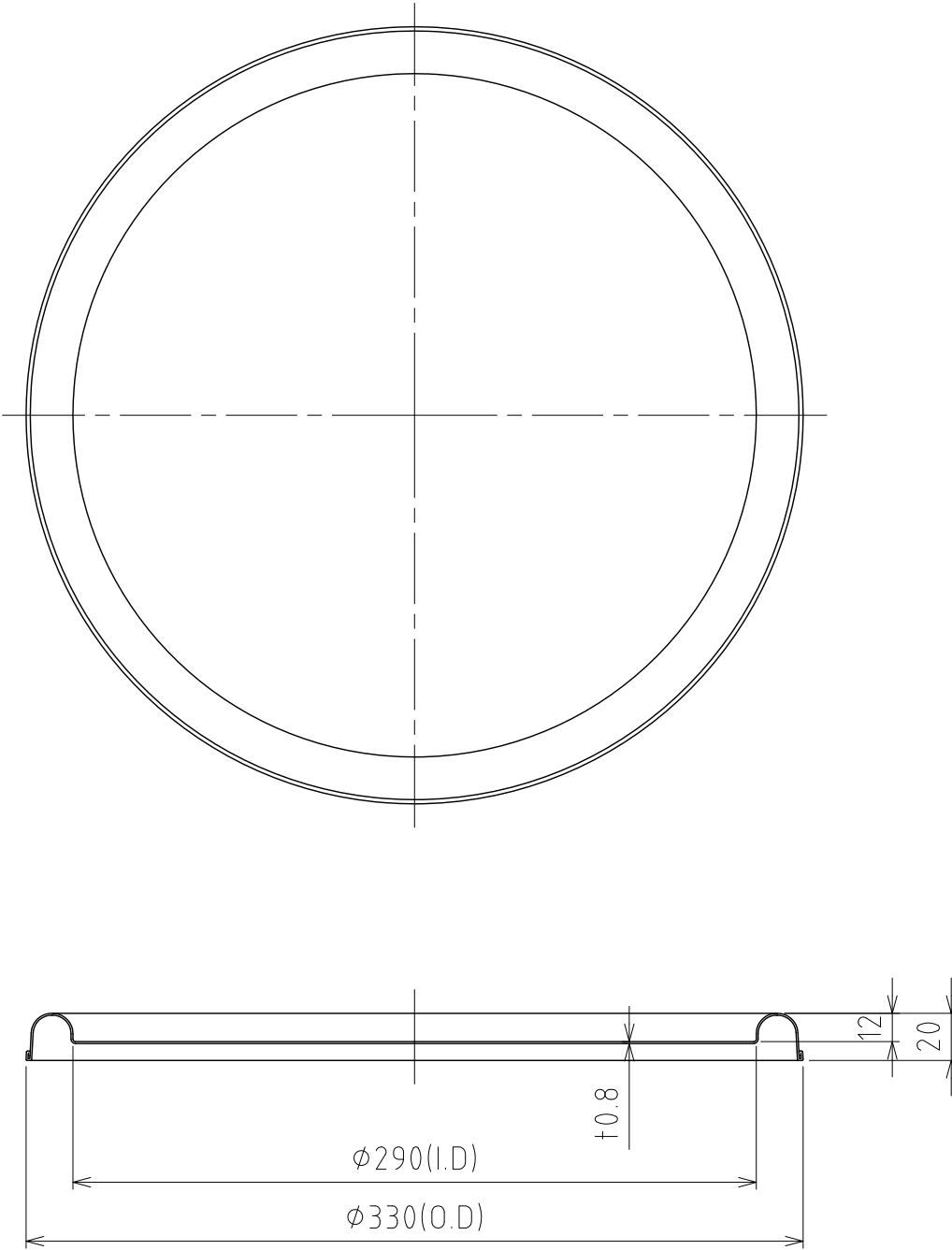


File # 012133-0

No.	PART NAME	STANDARD/SIZE	MATERIAL	QTY	NOTE
1	密閉蓋	M-30 (+0.8)	SUS304	1	



注記
 仕上げ：内外面 # 320バフ研磨
 重量：約0.6kg

MARK	DATE	REV	APPROVED
板金溶接組立の寸法許容差は±1%又は5mmの大きい値			
DESIGN	DATE	NAME	CTH-30用密閉蓋 M-30
-	2016/03/31	-	
DRAWN	DATE	DWG NO.	3-012133-0
-	-	-	
CHECKED	DATE	SCALE	1:3 CUSTOMER 規格図
-	-	-	
APPROVED	DATE	SANKO ASTEC INC.	
-	-		