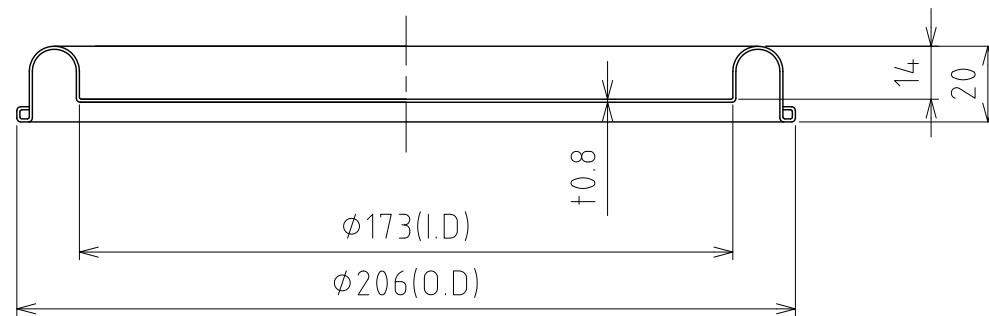
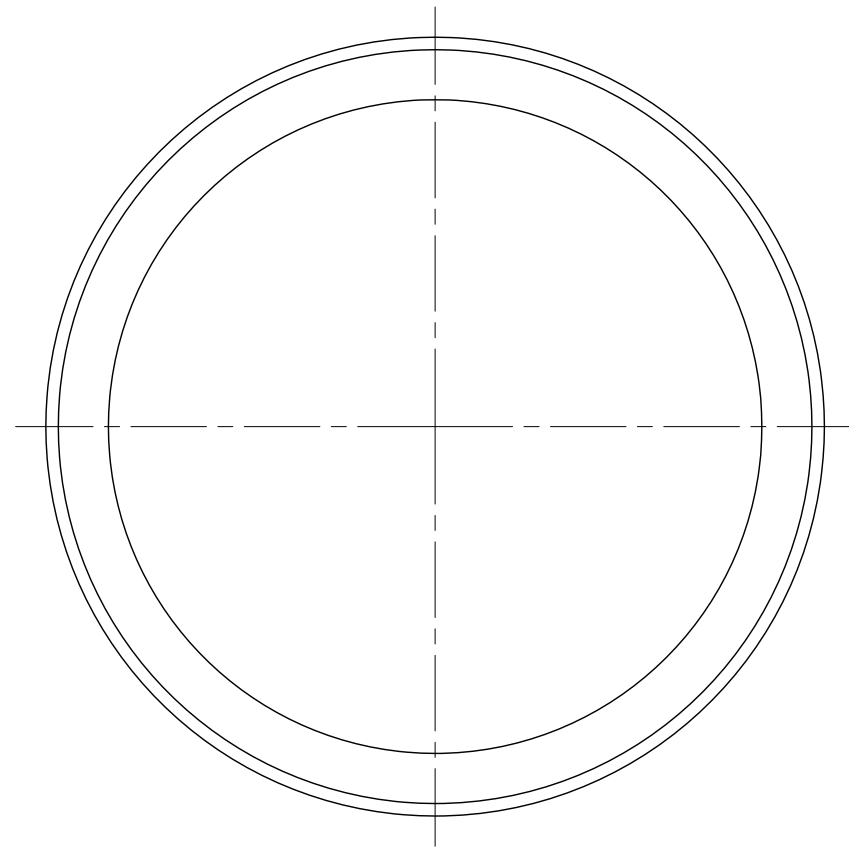


File # 012129-0

No.	PART NAME	STANDARD/SIZE	MATERIAL	QTY	NOTE
1	密閉蓋	M-18 (+0.8)	SUS304	1	



注記
 仕上げ：内外面 # 320バフ研磨
 重量：約0.3kg

DESIGN	DATE
-	2016/03/31
DRAWN	DATE
-	-
CHECKED	DATE
-	-
APPROVED	DATE
-	-

MARK	DATE	REV	APPROVED
板金溶接組立の寸法許容差は±1%又は5mmの大きい値			
NAME	CTH-18用密閉蓋 M-18		
DWG NO.	3-012129-0		
SCALE	1:2	CUSTOMER	規格図
SANKO ASTEC INC.			